

CANADA / INDIA

Contact : +1 647 615 7171, +91 98887 17171
info@aektek.com; www.aektek.com

**Manufacturers of high quality
Engineering Products**

An ISO 9001 : 2015 TÜV Certified Company

About Us

Headquartered in Ludhiana, India, Aek Tek is a leading components manufacturer and supplier for OEM, Tier 1 and the independent aftermarket. We service global component & systems demand for automobiles, sheet metal, truck parts, trailer parts, agriculture, railroads, hardware and construction markets.

The roots of group go way back to 1989 when started our manufacturing business journey in North Indian city of Ludhiana. We provide product & service of superior quality, exceptional value, performance and reliability to all our clients around the globe.

Our customers profit from our extensive product range, tooling expertise, product & materials knowledge and large to batch size engineering & validation capabilities. Our customers & distributors across the world worldwide rely on our experience and proficiency in product management, rapid development, sales & marketing, product training and distribution skills to meet global component & systems demand.

OUR VISION

To be one of the world's leading component source company admired for our product, partnership & performance excellence.

OUR MISSION

To support customers worldwide by providing excellent products of exceptional value and quality. To continuously seek improvement through:

- New manufacturing processes.
- Upgrading skills of our manufacturing team.
- Use of new machines and technology.
- Following best business practices.

To develop a supportive, positive and growth oriented culture which encourages our team members to be highly productive and to develop professionally
To develop a strong presence in diversified markets around the globe thus providing stability and adequate financial returns to the customers, employees, company and shareholders.



GROUP OF COMPANIES

- Aek Tek Overseas Ltd., Canada
- Aek Tek Auto Engineering (P) Ltd.
- Guru Tek International
- Progressive Engineering Products



OUR QUALITY

Our plants are qualified to meet the following International Quality Standards:

ISO 9001:2015 certified by TUV

QUALITY MANAGEMENT CAPABILITIES AND STRENGTH :

- Mature product development system.
- Dedicated & specific 'QMS' Team capable of managing multiple OEM product engagements' at any given time.
- Associated with dedicated laboratories for raw materials testing & compound development & validation.
- Extensive experience in dynamic testing & validation of components.
- FEA analysis.
- Impact analysis.

Quality CONTROL

- CAPA
- POKA-YOKE
- KAIZEN
- FMEA
- 5S

METHODOLOGIES AND TECHNIQUES

QUALITY STANDARD FOLLOWED

- ANSI (American National Standards Institute)
- ASME (American Society of Mechanical Engineers)
- ASTM (American Society for Testing and Materials)
- IAAG (Automotive Industry Action Group) PPAP
- ISO (International Organization for Standardization) – ISO 9001:2015
- Mil-Spec (Military Specifications)
- RoHS (Restriction Of Hazardous Substances (Compliant))

Certificate



OUR SPECIALISATION

- AUTOMOBILES
- SHEET METAL COMPONENTS
- TRUCK PARTS
- TRAILER PARTS
- AGRICULTURE
- RAILROADS
- TOOLS
- CONSTRUCTION





AUTOMOBILES

AEK TEK is considered as one of the most prominent autoparts manufacturers in India. Since our establishment, we have served a wide range of requirements of the clients by providing them flawless, high-quality auto parts that are manufactured in line with the industry best standards.

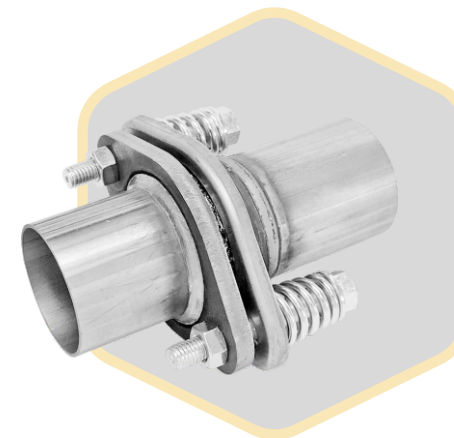
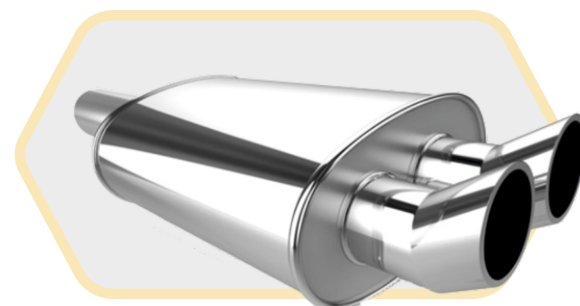
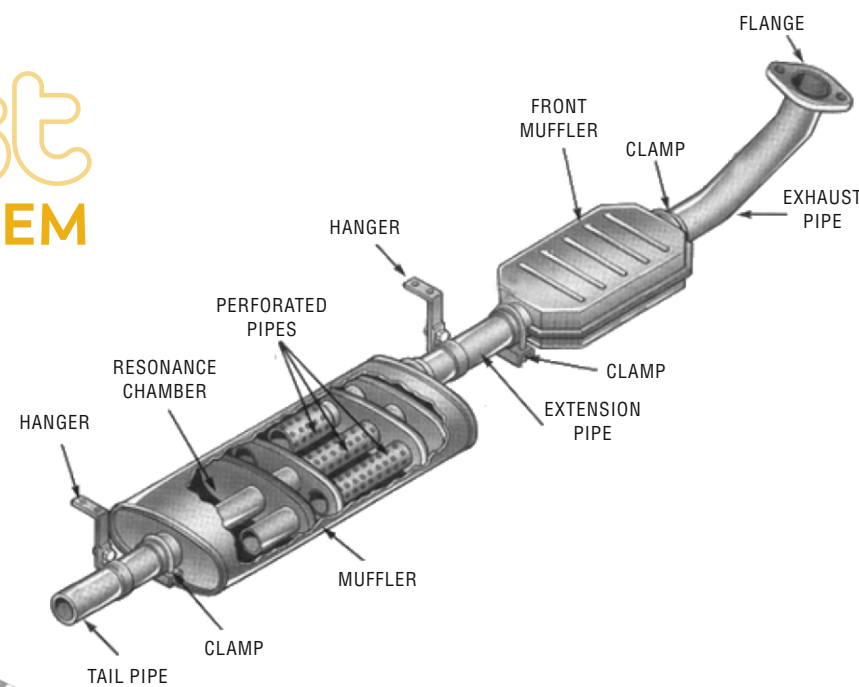
We are a global provider of precision auto components to the Automobile sector. We have developed a manufacturing line for the automotive exhausts, exhaust child parts and chassis parts.

We are manufacturing more than 7000 exhausts along with 30000 exhaust child parts each month for more than 350 models.

We are OEM / Tier 1 suppliers to few top Auto/ tractor companies in India. We specialize in parts made from stainless steel, aluminized steel, alloy steels and carbon steels.

Exhaust SYSTEM

A true exhaust system is a proper passage of exhaust gases coming out of the engine considering its capacity and flow of gases.

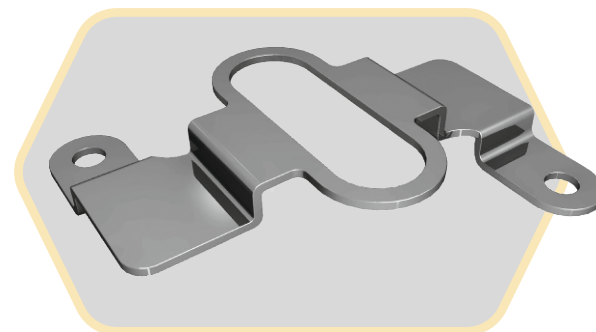
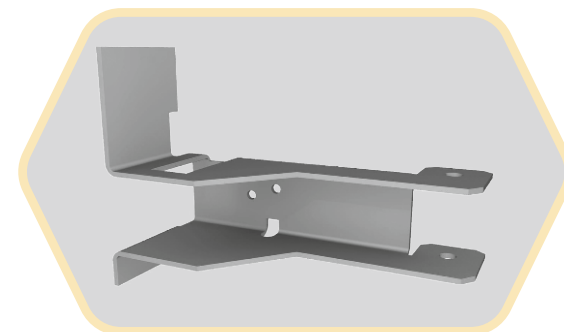




SHEET METAL COMPONENTS

We manufacture wide range of Sheet Metal Components used in Automotive Applications, Tractors, Earthmoving equipment, Transmissions, Axles and Bodies. These are manufactured out of various grades of Steel, Stainless Steel, Copper and Brass, thickness range up to 10mm thickness with tonnage capacity of 200 tone presses. In house tool room facility is our strength to design and fabricate the tooling for any type of sheet metal component.

Deep draw components are our speciality and various types of metal forming.
We have in house facilities available for different type of welding and fabrication.



TRUCK PARTS

We are manufacturing multiple range of truck parts which include big exhausts for heavy commercial engines, forged machined components.

We are also manufacturing child parts for some of our OEM suppliers and Tier 1 suppliers to OEM manufacturers.

In addition to above we are exporting thousands of parts to many manufacturers in USA, Canada and Australia.



TRAILER PARTS

AEK TEK is the leading manufacturer of custom fit trailer parts accessories.

We manufacture multiple type of parts such as trailer jacks , pins, hinges , etc. for many companies in global markets.

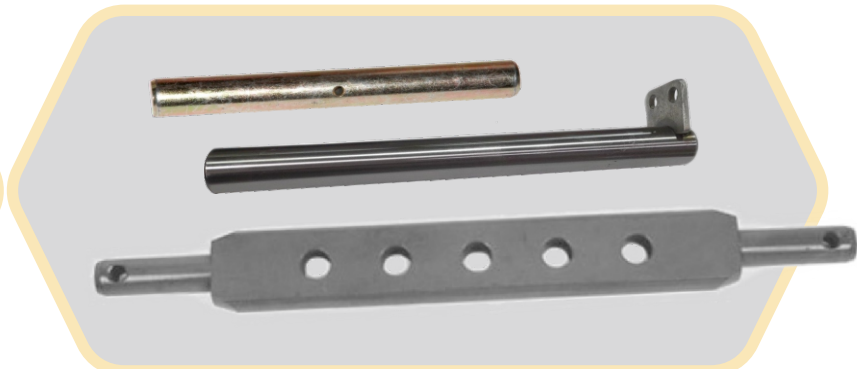




AGRICULTURE

We manufacture many components for original tractor manufacturers in India. The range of parts starts from few grams to tens of kilo's. Some of prominent parts we manufacture include:

- Weight Pins
- Pivot Pins
- Brake pedal shafts
- Transmission shafts
- Hydraulic chamber sensor and plates
- Draw bars
- Linkage parts



RAILROADS

Very new addition to our portfolio of our products. We developed few components for railway industry. The parts include spring steel key and stainless steel liners for railcars. We export these parts to North America



TOOLS

We are one of the largest manufacturers of tools for aftermarket , exports and OEMS in India. We are manufacturing more than 8000 jacks each month and have installed capacity to manufacture 12000+ jacks every month. Other than jacks we are manufacturing 10000 spanners, tommy bars, etc. Our tools range include Jacks :

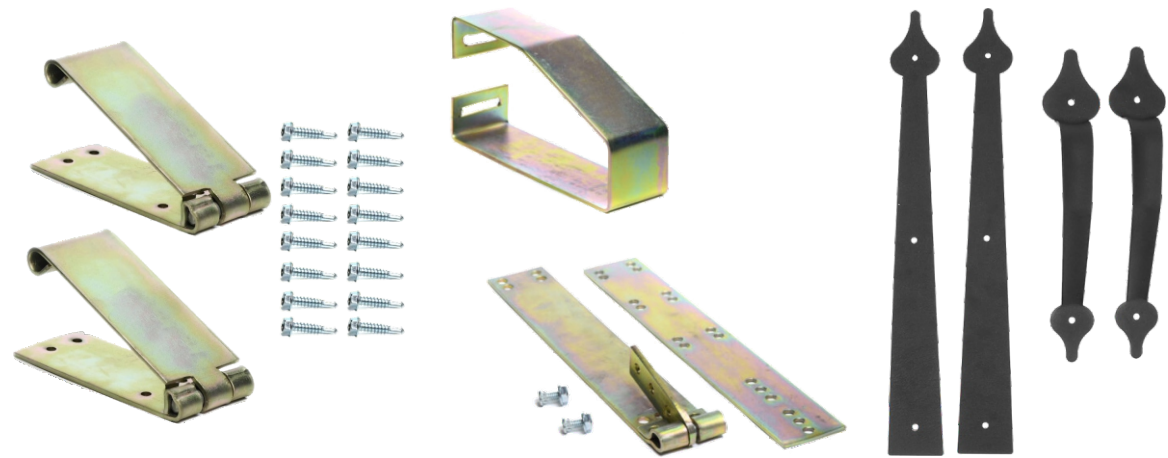
- Scissor jack
- Screw Jacks
- Hydraulic Jacks
- Stabilizer jacks
- Building lifting jacks
- Building shifting jacks
- Trailer Jacks
- L type wheel Spanners
- Truck Spanners
- Tommy Bars





HARDWARE

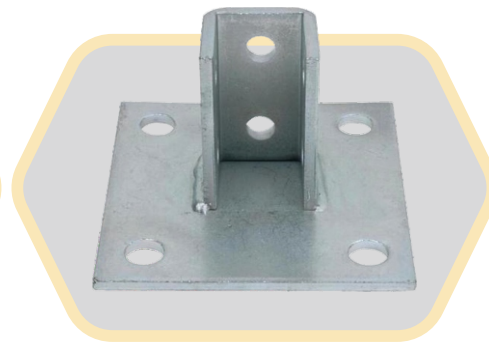
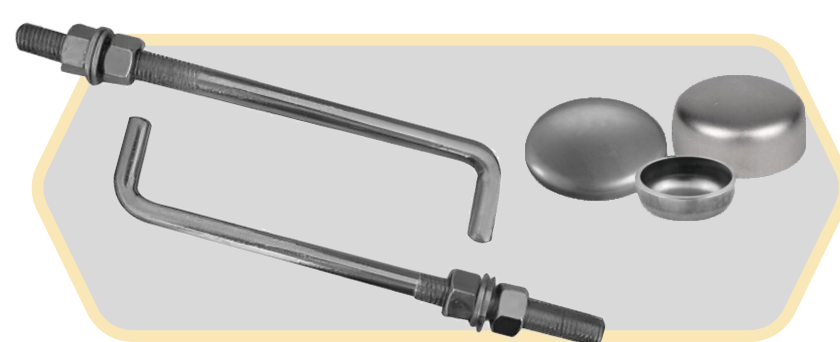
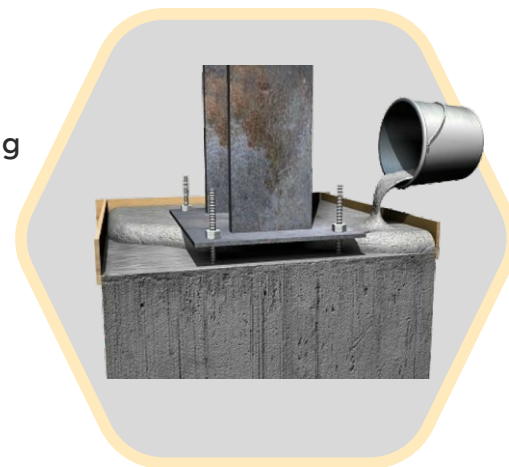
We are manufacturer of multiple types of hinges for residential and commercial purposes. In addition to hinges we are manufacturing overhead brackets, reinforcement brackets, support channels etc. We are catering many parts to garage door manufacturers and other home steel accessories suppliers throughout North America.



CONSTRUCTION

We are catering construction sector by manufacturing scaffolding, foundation and other steel fabrication parts for clients all over the world.

We are manufacturing construction goods for clients in USA, Canada, Qatar, Africa, UAE etc.



SOLAR

Latest in our portfolio we are developing child parts for Solar systems manufacturers in Europe and North America. Our parts include channels, rails, brackets, support brackets.



AEKTEK plays a substantial role in achieving sustainable development energy solutions.

Quality POLICY

AEKTEK IS COMMITTED TO QUALITY PRODUCTS

Provide satisfaction to customer by designing, manufacturing and marketing products and services that consistently meet their needs and expectations and comply with all applicable requirements.

Implement and maintain a quality management system that meets international standards.